
**Features**

- 16 element PIN array
- High QE in the visible spectrum
- High uniformity, low cross talk
- Designed for linear multi-device assembly

**Description**

Linear PIN array optimized for CsI:Tl scintillator luminescence detection. Two DIL18 packages with epoxy potting available. Scintillator version available on special request.

**Application**

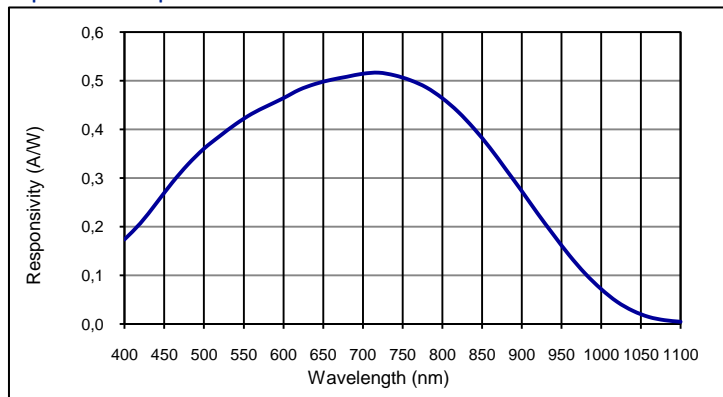
- X-ray inspection
- Photometry

**RoHS**

2002/95/EC


**Absolute maximum ratings**

Symbol	Parameter	Min	Max	Unit
$T_{STG}$	Storage temp	-20	80	°C
$T_{OP}$	Operating temp	-10	60	°C
$V_{R(OP)}$	Operating voltage	-	20	V
$I_{PEAK}$	Peak DC current		10	mA

**Spectral response**

**Electro-optical characteristics @ 23 °C**

Symbol	Characteristic	Test Condition	Min	Typ	Max	Unit
	No of elements			16		
	Active area			1200 x 2150		μm
	Gap; Pitch			375; 1575		μm
$I_D$	Dark current	$U_R = 10 \text{ mV}$ ; per element		5	30	pA
		$U_R = 1 \text{ V}$ ; per element			100	pA
$C$	Capacitance	$U_R = 0 \text{ V}$ ; per element		135	200	pF
		$U_R = 5 \text{ V}$ ; per element		50		
	Responsivity	$U_R = 5 \text{ V}$ ; $\lambda = 550 \text{ nm}$		0.4		A/W
$t_R$	Rise time	$U_R = 5 \text{ V}$ ; $\lambda = 550 \text{ nm}$ ; $R_L = 50 \Omega$		3		ns
$R_{Sh}$	Shunt resistance	$U_R = 10 \text{ mV}$	2			GΩ
$V_{BR}$	Breakdown voltage	$I_R = 2 \mu\text{A}$	20			V
	N.E.P.	$V_R = 10 \text{ mV}$ ; $\lambda = 550 \text{ nm}$		3 E-15	8 E-15	W/√Hz
	Cross talk	$\lambda = 550 \text{ nm}$			1	%
	Photo current uniformity	$U_R = 5 \text{ V}$ ; $\lambda = 550 \text{ nm}$			10	%

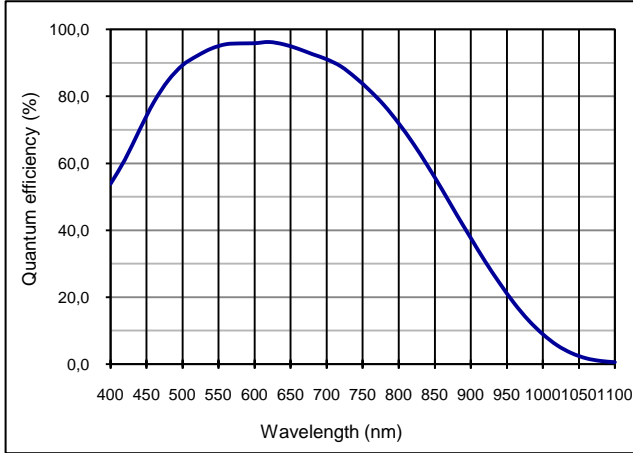
**European, International Sales:**


First Sensor AG  
 Peter-Behrens-Strasse 15  
 12459 Berlin  
 Germany  
 T +49 30 6399 2399  
 F +49 30 639923-752  
 sales.opto@first-sensor.com

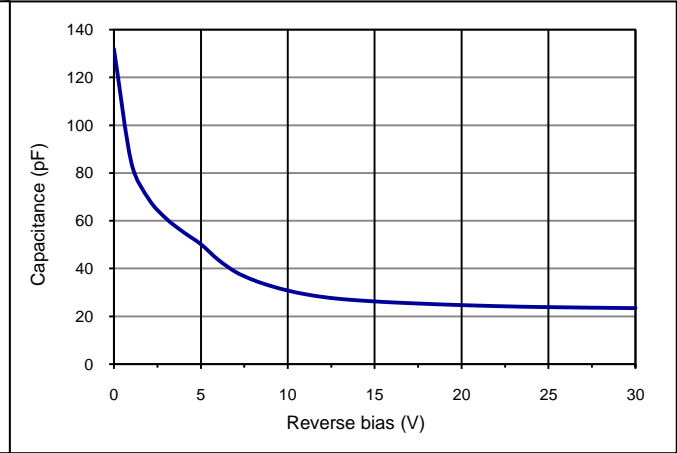
**USA:**


First Sensor Inc.  
 5700 Corsa Avenue #105  
 Westlake Village  
 CA 91362 USA  
 T +1 818 706 3400  
 F +1 818 889 7053  
 sales.us@first-sensor.com

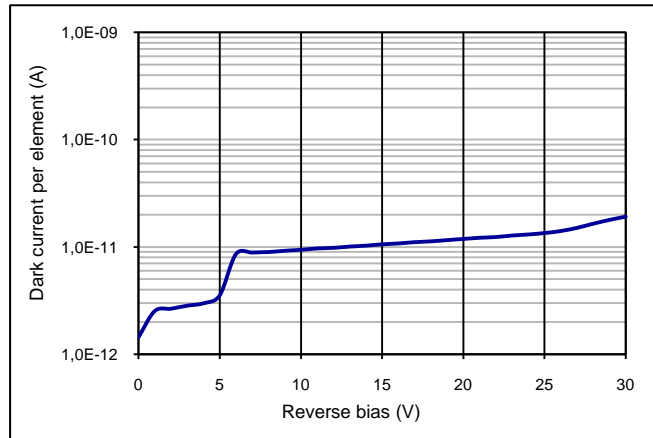
Quantum efficiency (23 °C)



Capacitance as fct of reverse bias (23 °C)



Dark current as fct of reverse bias (23 °C)



**European, International Sales:**



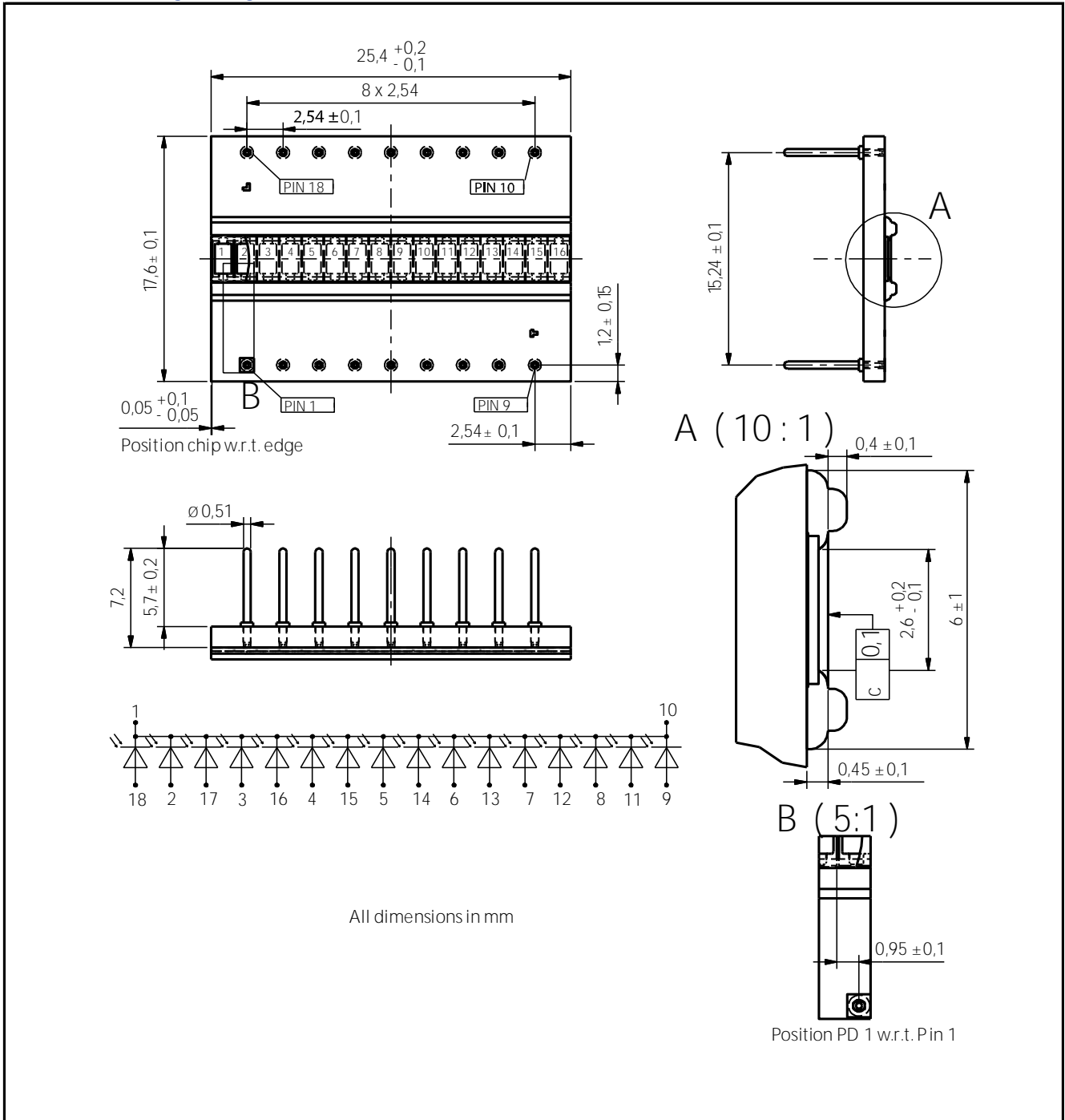
First Sensor AG  
 Peter-Behrens-Strasse 15  
 12459 Berlin  
 Germany  
 T +49 30 6399 2399  
 F +49 30 639923-752  
 sales.opto@first-sensor.com

**USA:**



First Sensor Inc.  
 5700 Corsa Avenue #105  
 Westlake Village  
 CA 91362 USA  
 T +1 818 706 3400  
 F +1 818 889 7053  
 sales.us@first-sensor.com

Technical Drawing Package: DIL18 full (#50160201)



Handling: Please refer to document "Instructions for handling and processing"

Disclaimer: Due to our strive for continuous improvement, specifications are subject to change within our PCN policy according to JESD46C.

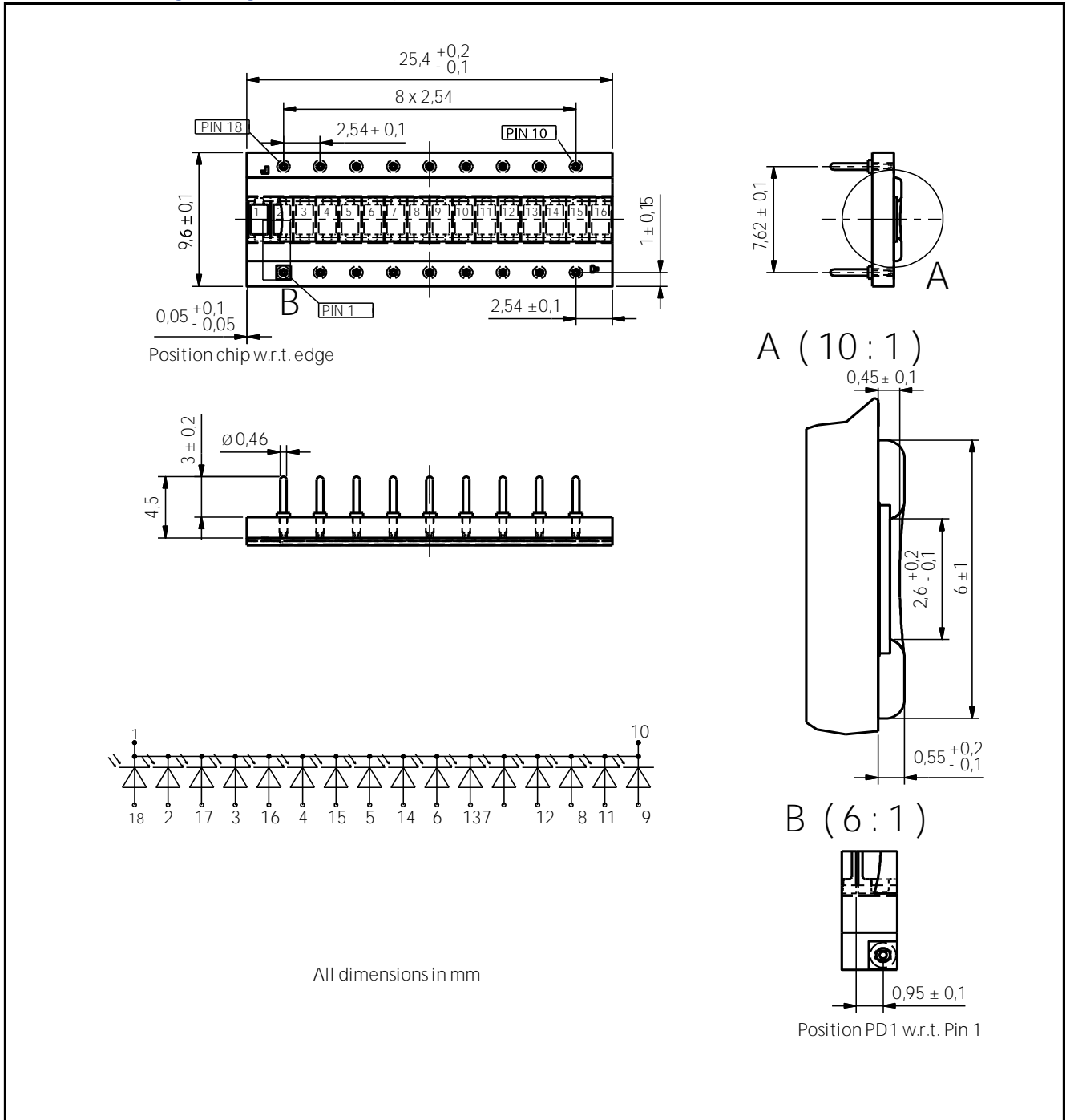
European, International Sales:

First Sensor AG  
 Peter-Behrens-Strasse 15  
 12459 Berlin  
 Germany  
 T +49 30 6399 2399  
 F +49 30 639923-752  
 sales.opto@first-sensor.com

USA:

First Sensor Inc.  
 5700 Corsa Avenue #105  
 Westlake Village  
 CA 91362 USA  
 T +1 818 706 3400  
 F +1 818 889 7053  
 sales.us@first-sensor.com

Technical Drawing Package: DIL18 slim (#50160202)



Handling: Please refer to document "Instructions for handling and processing"

Disclaimer: Due to our strive for continuous improvement, specifications are subject to change within our PCN policy according to JESD46C.

European, International Sales:

First Sensor AG  
 Peter-Behrens-Strasse 15  
 12459 Berlin  
 Germany  
 T +49 30 6399 2399  
 F +49 30 639923-752  
 sales.opto@first-sensor.com

USA:



First Sensor

First Sensor Inc.  
 5700 Corsa Avenue #105  
 Westlake Village  
 CA 91362 USA  
 T +1 818 706 3400  
 F +1 818 889 7053  
 sales.us@first-sensor.com



First Sensor