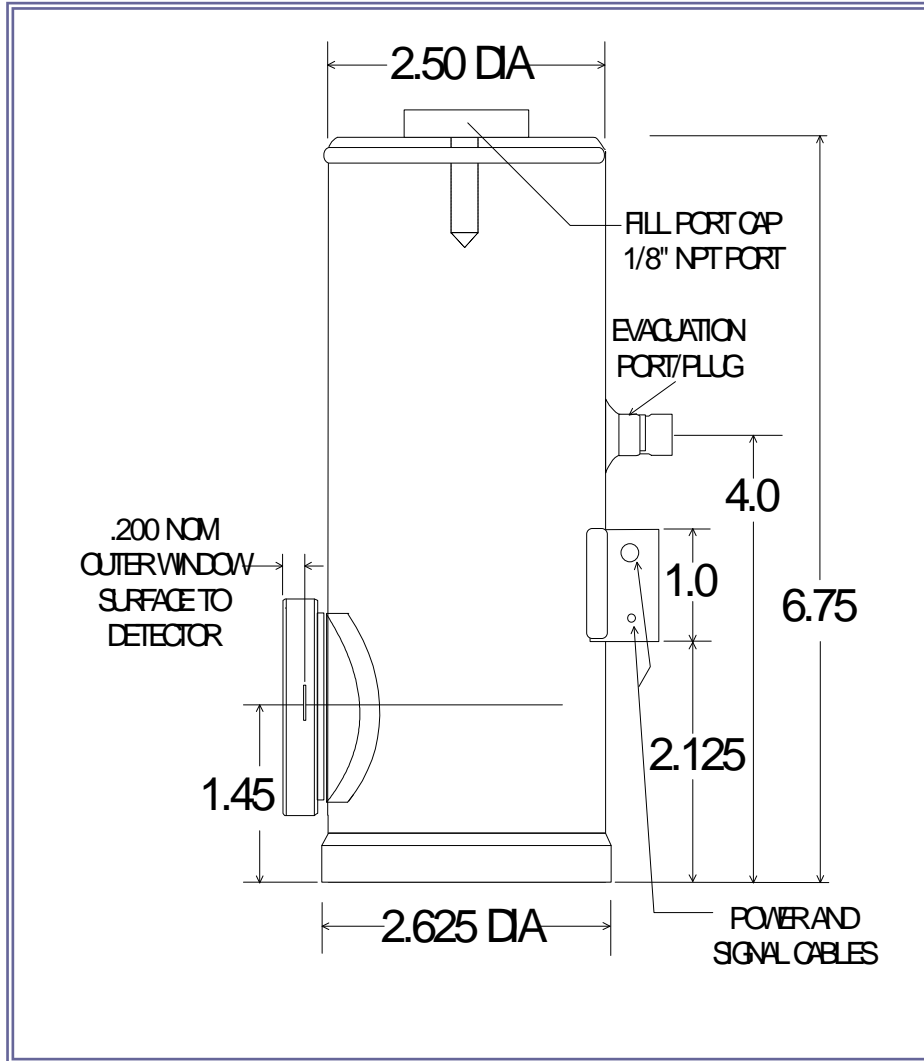
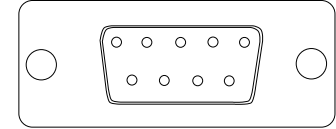


MCT SERIES CRYOGENIC PHOTODETECTOR/AMPLIFIER



Part No: MCT10-010-E-LN6N
s/n 071118



DB-9 PIN OUT

1	NO CONNECT	6	+V
2	NO CONNECT	7	-V
3	NO CONNECT	8	GND
4	NO CONNECT	9	CASE
5	NO CONNECT		

Application Note

This unit is a high performance cryogenically operated HgCdTe photodetector/amplifier. The unit should be at LN₂ temperature before turning on power to the amplifier. A funnel is provided to assist in the filling of the dewar, which is best accomplished by gradually filling and topping off over a several minute period.

The amplifier has a dual gain function controlled by a switch on the backplate. The HI (up) position is x10 above the LO (down) position. Output is thru a BNC-type cable, and power is connected thru a shielded multi-wire cable terminated in a 9-pin Dsub connector or solder leads.

Active Area	1 mm x 1 mm
Spectral Range	2 - 13+ um
Detectivity (D*pk,10kHz,1Hz)	4.9 x 10¹⁰ cm-Hz^{1/2}/W
Dewar Hold Time	12 hours minimum with liquid N₂
Field of View	60° nominal
Responsivity (pk), at amplifier out	0.9 x 10⁶ V/W HI ; 10⁵ V/W LO
Noise voltage (100Hz)	9.5 x 10⁻⁶ / 10⁻⁷ V/Hz^{1/2}
(1kHz)	3.0 x 10⁻⁶ / 10⁻⁷
(10kHz)	1.8 x 10⁻⁶ / 10⁻⁷
Bandwidth	5 Hz - 50kHz + typ



MCT SERIES CRYOGENIC PHOTODETECTOR/AMPLIFIER

Detector Resistance; Bias (Set internally)	33 ohms; 20mA
Power Requirement	+,- 5VDC to +,- 15VDC ; 50mA
Connections	BNC Signal Cable Shielded Power Cable Red = +V Black = -V White/Shield = GND Note: Units delivered with the PS-1 power supply are terminated with a 9-pin DB-9 connector.

Part No: MCTxx-E-LN Series

DB-9 PIN OUT

1	NO CONNECT	6 +V
2	NO CONNECT	7 -V
3	NO CONNECT	8 GND
4	NO CONNECT	9 CASE GND
5	NO CONNECT	