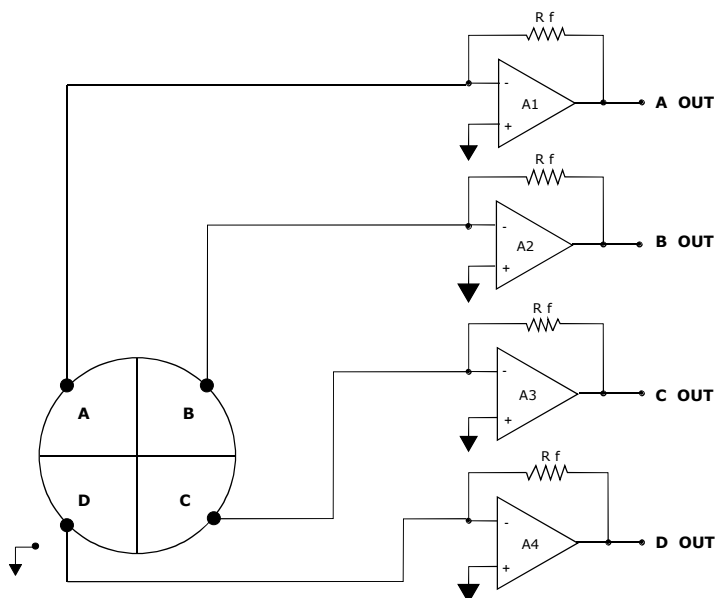


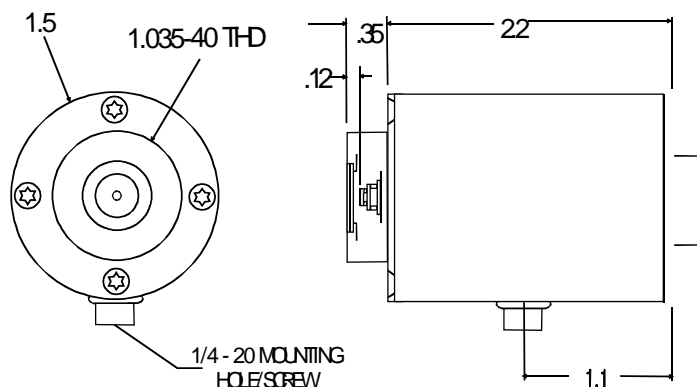
SILICON QUADRANT RECEIVERS



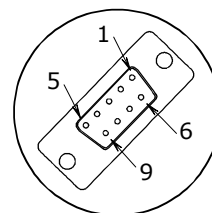
These units integrate the EOS quadrant photodiodes with a 4-channel transimpedance amplifier in the H-series receiver module. Gain/bandwidth settings can be specified by the user. Standard settings are shown below.

Note:

Units delivered with a PS-1 power supply have an adapter cable for power and the amplifier outputs.



9-PIN D-sub Connector



- PIN**
- 1 - A OUT
- 2 - B OUT
- 3 - GND
- 4 - C OUT
- 5 - D OUT
- 6 - +V
- 7 - -V
- 8 - GND
- 9 - CASE

SPECIFICATIONS

Part Number	S-025-QUAD-E4
Detector Type	Silicon Quadrant Photodiodes
Wavelength Range	400 - 1100 nm
Active Area, Overall	2.5 mm x 2.5 mm
Element Spacing	< 125 μ m
Module Responsivity (V/W)	0.5×10^8 , each channel
Module Bandwidth	DC - 2 kHz
NEP (900nm, 1kHz), W/Hz ^{1/2}	< 2×10^{-14}
Power Requirements	+ , - 15 VDC; 20 mA